

THE ANATOMY OF THE PERFECT LEG



Not since the time of Henry VIII—when Henry met Francis I on the Field of the Cloth of Gold to compare legs and decide who, indeed, had the finest leg in all of Christendom—has the world been blessed with such perfection as is evinced by the

LaBac multi-axis legrest.

With angle adjustments available in up to four different places, this leg will ‘fit to perfection’ your most demanding or contracted client. With interlocking teeth to hold the angles that you set (adjustable in six degree increments), this durable beauty doesn’t just look good, it holds its ‘shape’ once you set it. Had LaBac been around to compete, Henry would have headed back to England in shame, for no one’s leg compares to LaBac’s. In his anger, who knows how many wives would have been sacrificed to assuage his wrath?

Now you can have your LaBac leg in whatever configuration makes you happy. A LaBac leg for an Invacare? No problem. I have listed below some of the most common adapter part numbers to conform LaBac to Invacare, Quickie, Pride, Motion.....

Invacare® round seat rail	TL0482
square seat rail with track	TL0479/TL0480
Quickie® rehab seat	TL0484
Pride® square seat rail.....	TL0488
rectangular seat rail with track.....	TL0486
Motion Concepts.....	TL0490

Available Options:

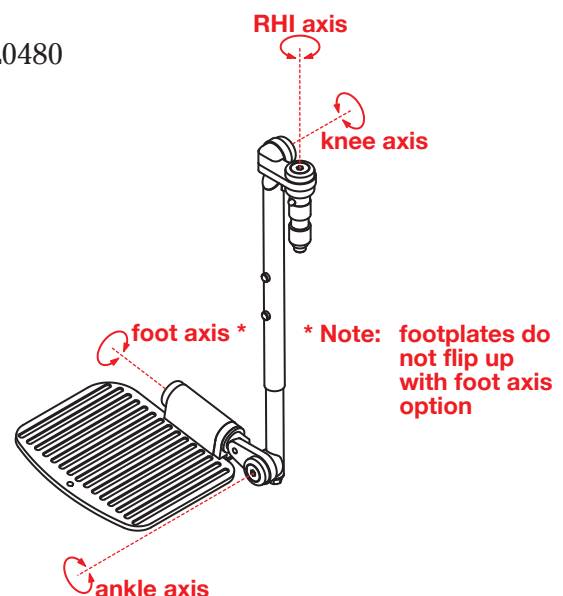
- Knee only
- Knee and RHI
- Knee, RHI and ankle
- Knee, RHI, ankle and foot
- Knee and ankle
- Knee, ankle and foot
- Ankle only
- Ankle and foot

LaBac Systems is a registered trademark; and Phoenix Group, Falcon Rehabilitation, Gel Ovations, and Sta-Rite are trademarks; of the Phoenix Group.

Invacare is a registered trademark of Invacare Corporation.

Quickie is a registered trademark of Sunrise Medical HHG Inc.

Pride is a registered trademark of Pride Mobility Products Corporation.



Adjustable axes are shown above. Please call for more options not listed.