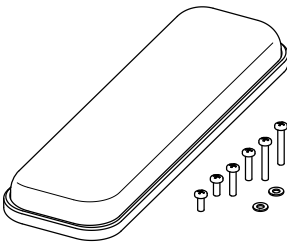
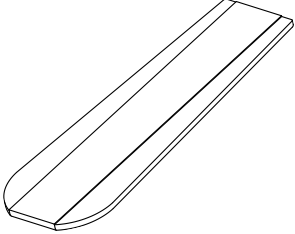
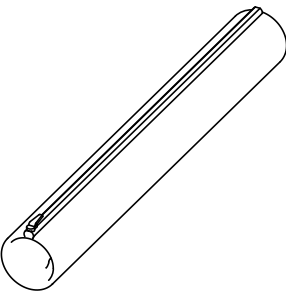
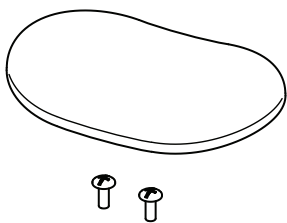
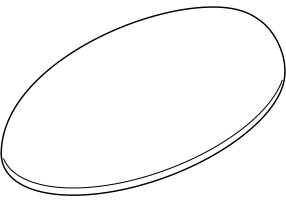
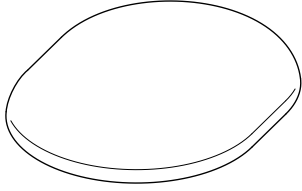


LEGS & FEET			
GEL FOOTPLATE PADS		GEL HEEL LOOP COVER	GEL LEG WRAP
Bolt-on cover with wood base fits standard adult footplates. 6.3" W x 8.4" D x 1.4" H. Includes 1/4-20 hardware. Black, pair.	Bolt-on center-mount footboard cover with wood base fits most manufacturers' regular size. 11.0" W x 9.0" D x 1.25" H. Includes 10-32 hardware. Black, each.	Hook and loop closure; three gel section design enhances fit. Black, pair.	Hook and loop closure; fits 70° swingaway footrests. Black, set of left and right.
GFCP	GFPCS	HLSC	LPW
GEL KNEE PROTECTOR BUTTONS			
For elevating legrests; 4" dia x 1 1/4" H. Includes 1/4-20 hardware. Black, pair.	For elevating legrests; 4" dia x 7/8" H. Black, pair.	For swingaway footrests; 4" dia x 1 1/4" H. Includes hardware. Clamps to 7/8" or 1" tube. Black, pair.	For swingaway footrests; 4" dia x 7/8" H. Includes hardware. Clamps to 7/8" or 1" tube. Black, pair.
KBE	KBET	KBM	KBMT
GEL LEG PROTECTOR PAD	GEL CALF PANEL		
3 1/2" x 12" x 3/4" pad. Includes 1/4-20 hardware. Fits 7/8" or 1" tubing legs. 2 clamps. Black, pair.	Split panel allows use of swingaway legs without removal; fits 16" - 20" wide seats. Black, each.		
FLGP	GHS-2		



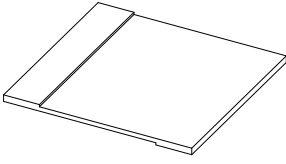
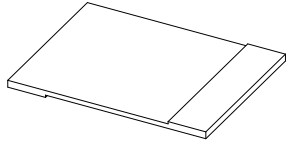
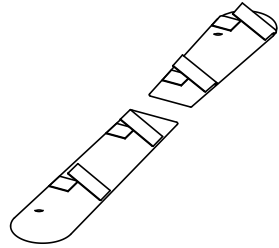
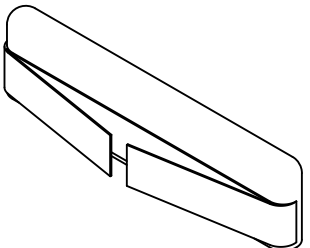
GEL / HARDWARE PRODUCT INFORMATION GUIDE EFFECTIVE FEBRUARY 1, 2009)

ARMS			
GEL ARM REST PAD	GEL TROUGH LINER	GEL TUBULAR ARM COVER	
Bolt-on, wood base gel pad with neoprene nylon cover and plastic base guard. Black, pair.	Hook and loop closure; fits Otto Bock troughs. Black, pair.	Lightweight, zip-on, neoprene nylon cover. Black, pair.	
			
310G – 3 1/2" x 10"	OTLM – 13"	TAC	
312G – 3 1/2" x 12"			
314G – 3 1/2" x 14"			
316G – 3 1/2" x 16"	OTLL – 19"		
212G – 2" x 12"			

PADS			
GEL LATERAL PAD		GEL STICK-ON PAD	
Curved, oval pad with removable washable cover. Black, pair.		Adhesive base with neoprene nylon cover. 1/2" thick. Black, pair.	Adhesive base with neoprene nylon cover. 1/2" thick. Black, pair.
			
35GLP – 3" x 5"		ESP – 2 5/8" x 4 1/2" egg shape	34SP – 3" x 4" oval
46GLP – 4" x 6"			48SP – 4" x 8" oval
			412SP – 4 1/2" x 12" oval

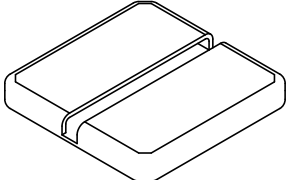
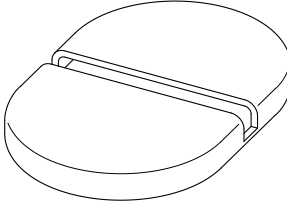
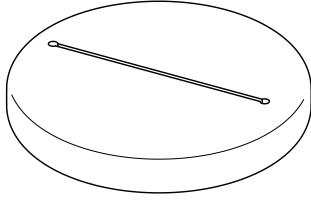


GEL / HARDWARE PRODUCT INFORMATION GUIDE EFFECTIVE FEBRUARY 1, 2009)

COVERS			
GEL WALKER HANDLE	GEL CRUTCH HANDLE	GEL SEAT BELT COVER	GEL SEAT BACK CANE
Hook and loop closure; neoprene nylon cover. Black, pair.	Hook and loop closure; for standard crutch handles. Black, pair.	Hook and loop closure; two-piece; fits all standard adult seat belts. Black, set.	Stretch-on, hook and loop closure; fits over top of fixed frame manual chair backs without push handles. Black, each.
			
PTW-5 – 5"	PTW-4 – 4"	SBCV	BCC16 – 16"
			BCC18 – 18"
			BCC20 – 20"

GEL TUBE
Hook and loop closure; fits 3/4" to 1" tubing. Black, pair.

PTW6 – 6"
PTW8 – 8"

COVERS ONLY (NO GEL)		
HEADREST COVER	LATERAL PAD COVER	KNEE BUTTON COVER
Slip-on, washable, removable, neoprene nylon. Black, each.	Slip-on, washable, removable, neoprene nylon. Black, pair.	Slip-on, washable, removable, neoprene nylon. Black, pair.
		
HSC55 – 5" x 5"	LSC35 – 3" x 5"	KBSC
HSC77 – 7" x 7"	LSC46 – 4" x 6"	

HARDWARE KITS AND ACCESSORIES			
ADDUCTOR BRACKET	ELBOW STOP	LATERAL SUPPORT	
Swingaway; complete with 3" x 5" gel pad. Clamps to 7/8" or 1" tube. Black, pair.	Swingaway; complete with 3" x 5" gel pad. Clamps to 7/8" or 1" tube. Black, pair.	Clamps to 7/8" or 1" tube. Black, set of left and right. See pads in next row.	
FRAB	FRES	FRLA	
GEL LATERAL SUPPORT PAD		LATERAL SUPPORT, RIGHT OR LEFT	
3" x 5" gel lateral support pad. Black, pair.	4" x 6" gel lateral support pad. Black, pair.	Clamps to 7/8" or 1" tube. Black, each (Left). See pads at left.	Clamps to 7/8" or 1" tube. Black, each (Right). See pads at left.
FRLA35	FRLA46	FRLALH	FRLARH
STUMP SUPPORT	GEL STUMP SUPPORT PAD		
Clamps to 7/8" or 1" tube. Black, each. See pads at right.	4" x 6" gel stump support pad. Black, each.	5" x 5" gel stump support pad. Black, each.	7" x 7" gel stump support pad. Black, each.
FRSS	FRSS46	FRSS55	FRSS77